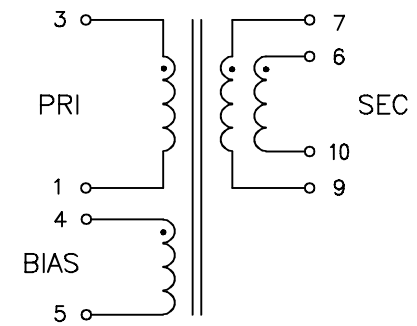


SUGGESTED FOOTPRINT



ELECTRICAL CHARACTERISTICS :

1. DCR : 3-1 = 185mΩ MAX. 4-5 = 385mΩ MAX.
6-10 = 30mΩ MAX. 7-9 = 30mΩ MAX.
2. INDUCTANCE : (@250KHz, 0.3Vrms) 3-1 = 50uH ±10%
(@250KHz, 0.3Vrms, 1.22A) 3-1 = 40uH MIN.
3. LEAKAGE INDUCTANCE : (@250KHz, 0.3Vrms, 4-5,6-7-9-10 SHORT)
3-1 = 2.0uH MAX.
4. TURN RATIO : (@250KHz, 0.1Vrms) 3-1 : 4-5 = 1 : 0.5 ±5%
3-1 : 6-10 = 1 : 0.166 ±5%
3-1 : 7-9 = 1 : 0.166 ±5%
5. HI-POT : (@1500VAC, 1mA, 2SEC) 3-7-10 , 3-4
6. POWER : 5W
7. OUTPUT : PIN 7-9 , 6-10 : 3.3V, 1.5A
8. OPERATING TEMPERATURE RANGE : -40°C~+85°C
9. RoHS COMPLIANT

					AOEM.		TITLE FLYBACK TRANSFORMER	
							DWG. NO. ATS-1370R	
RELEASE					UNITS:		SAFETY	
							SHEET 1 of 1	
NO:	DESCRIPTION	DATE	BY	CHK	APPD	DATE	P/N:	DRAW
REVISIONS								